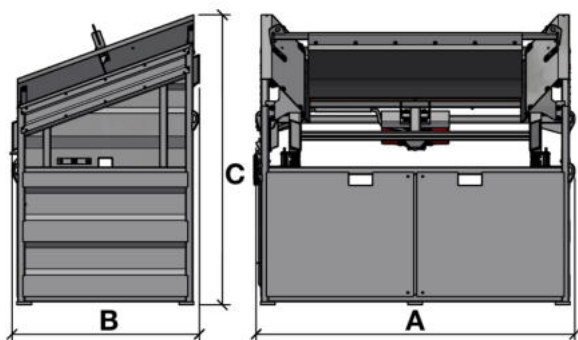




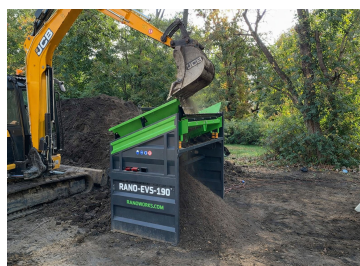
## RANO-EVS-190

Screener output	10 - 20 tons/hour	Screener suitable for small loaders with bucket width up to 190 cm / volume up to 0,6 m <sup>3</sup> , and miniexcavators of total weight 3 to 5 tons. The screener is easy to be transported on a trailer behind a personal car.
Max bucket width	1900 mm	
Screening area	2 m <sup>2</sup>	
Power input	400 V / 0,6 kW nebo 230 V / 0,4 kW	<b>Suitable with miniexcavators:</b> KUBOTA KX - 030/037/042 U - 36/50 , CAT 303/303.5/304/305, JCB 8026/35Z/36C/50Z, BOBCAT E34/E35z/E50z, KOMATSU PC 30/35/45 ,WACKER NEUSON ET24/ET35/ET42/EZ26/EZ36/EZ50, YANMAR ViO33/ViO38/ViO50, VOLVO EC35/ECR35/40/50
Weight	520 kg	
Width (A)	2100 mm	
Length (B)	1300 mm	
Height (C)	1970 mm	<b>Suitable with loaders:</b> AVANT 600/700 , MULTIONE 7/8 SERIES, WACKER NEUSON WL 32/34, BOBCAT S 510/530/550/590/66, MECALAC MCL 8/AS 600, JCB 403/155/175/210/215, KUBOTA RT 260, CAT 236/246/242/262, KOMATSU SK 815/820, GIANT 3500, WEIDEMANN 1880/2080, KRAMER 5050/5055/5065, WEYCOR AR 320/AR380



### Optional Attachments:

- Conveyor belts in lengths of 3,4,5 and 6 meters
- Other types of the sieves



Producer reserves all rights to change technical specification of the screeners without prior notice. Please, contact us at all times for exact technical details, such as transport dims and weights.